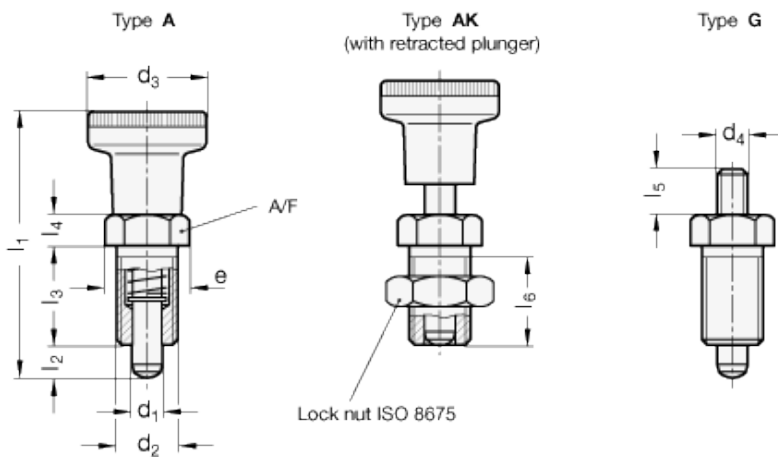


GN 617

Indexing plungers



technical informations

Threaded body
Black-oxide steel.

Plunger

Black-oxide steel with hardened end. Suggested matching hole in H7 tolerance.

Locking nut

Black-oxide steel.

"Push/Pull" knurled knob

High resilience polyamide based (PA) technopolymer, black colour, matte finish. Resistant to solvents, oils, greases and other chemical agents.

Standard executions available

- Version A: with knob, without locking nut, ISO 8675.
- Version AK: with knob and locking nut.
- Version G: without knob, without locking nut.
- Version GK: without knob, with locking nut, ISO 8675.

Version G and GK, without knob, are provided with threaded drive rod for combination with knobs on customer's request or to join the rod to an operating mechanism of the machine.

Accessories on request (For sufficient quantities)

GN 609 black-oxide steel distance bushings are available for making up for the length of the threading in case the plunger is assembled on thin sheets.

Applications

GN 617 indexing plungers are used where positioning operations are required.

| Standard Elements | Main dimensions | | | | | | | | | | | | Spring pressure in N \approx | | Weight |
|-------------------|----------------------------|----------------|----------------|----------------|------|--------------------------|---------------------|----------------|----------------|----------------|---------------------|-----|--------------------------------|-----------|--------|
| Description | d ₁ -0.02/-0.04 | d ₂ | d ₃ | d ₄ | e | l ₁ \approx | l ₂ min. | l ₃ | l ₄ | l ₅ | l ₆ min. | A/F | Preload | Max. load | g |
| GN 617-5-A | 5 | M10x1 | 21 | - | 13.8 | 45 | 5 | 17 | 5 | - | 15 | 12 | 7 | 17 | 18 |
| GN 617-6-A | 6 | M12x1.5 | 25 | - | 16.2 | 54.5 | 6 | 20 | 6 | - | 17 | 14 | 9 | 24 | 32 |
| GN 617-8-A | 8 | M16x1.5 | 31 | - | 21.9 | 69 | 8 | 26 | 8 | - | 23 | 19 | 11 | 30 | 70 |
| GN 617-10-A | 10 | M20x1.5 | 31 | - | 25.4 | 80 | 10 | 33 | 10 | - | 30 | 22 | 19 | 45 | 110 |
| GN 617-5-AK | 5 | M10x1 | 21 | - | 13.8 | 45 | 5 | 17 | 8 | - | 15 | 12 | 7 | 17 | 24 |
| GN 617-6-AK | 6 | M12x1.5 | 25 | - | 16.2 | 54.5 | 6 | 20 | 6 | - | 17 | 14 | 9 | 24 | 42 |
| GN 617-8-AK | 8 | M16x1.5 | 31 | - | 21.9 | 69 | 8 | 26 | 8 | - | 23 | 19 | 11 | 30 | 90 |
| GN 617-10-AK | 10 | M20x1.5 | 31 | - | 25.4 | 80 | 10 | 33 | 10 | - | 30 | 22 | 19 | 45 | 143 |
| GN 617-5-G | 5 | M10x1 | 21 | M5 | 13.8 | 45 | 5 | 17 | 5 | 6 | 15 | 12 | 7 | 17 | 15 |
| GN 617-6-G | 6 | M12x1.5 | 25 | M6 | 16.2 | 54.5 | 6 | 20 | 6 | 10 | 17 | 14 | 9 | 24 | 25 |
| GN 617-8-G | 8 | M16x1.5 | 31 | M8 | 21.9 | 69 | 8 | 26 | 8 | 12 | 23 | 19 | 11 | 30 | 53 |
| GN 617-10-G | 10 | M20x1.5 | 31 | M8 | 25.4 | 80 | 10 | 33 | 10 | 12 | 30 | 22 | 19 | 45 | 98 |
| GN 617-5-GK | 5 | M10x1 | 21 | M5 | 13.8 | 45 | 5 | 17 | 5 | 6 | 15 | 12 | 7 | 17 | 22 |
| GN 617-6-GK | 6 | M12x1.5 | 25 | M6 | 16.2 | 54.5 | 6 | 20 | 6 | 10 | 17 | 14 | 9 | 24 | 35 |
| GN 617-8-GK | 8 | M16x1.5 | 31 | M8 | 21.9 | 69 | 8 | 26 | 8 | 12 | 23 | 19 | 11 | 30 | 72 |
| GN 617-10-GK | 10 | M20x1.5 | 31 | M8 | 25.4 | 80 | 10 | 33 | 10 | 12 | 30 | 22 | 19 | 45 | 129 |



ELESA and GANTER models all rights reserved in accordance with the law. Always mention the source when reproducing our drawings.

STANDARD MACHINE ELEMENTS WORLDWIDE